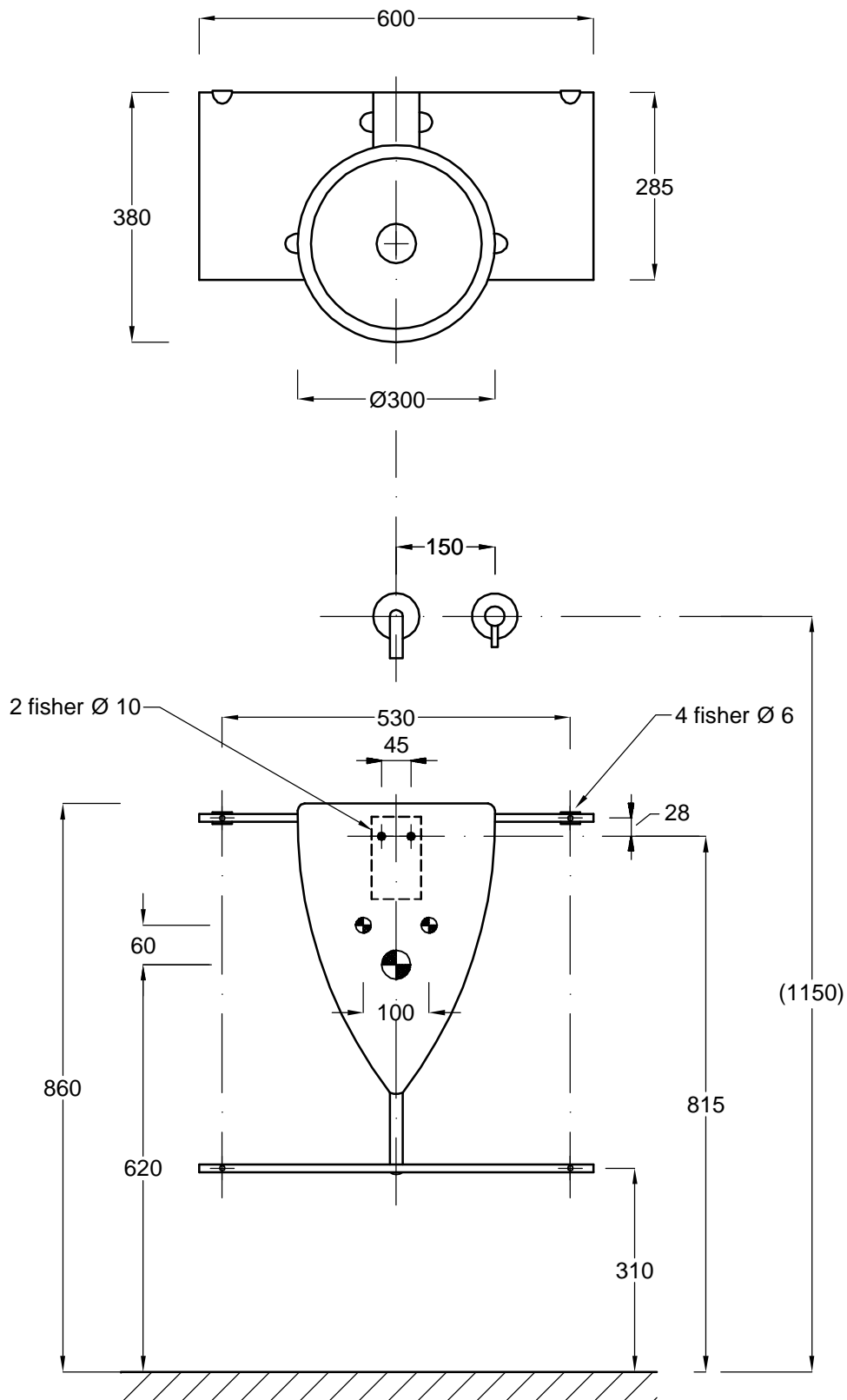


balan

tel +39 0721 497280
fax +39 0721 490286

MOD.	Ogive	
COD.	31 A 90 00	COD. 31 A 90 90



balan

tel +39 0721 497280
fax +39 0721 490286

MOD.	Ogive	
COD.	31 A 90 00	COD. 31 A 90 90